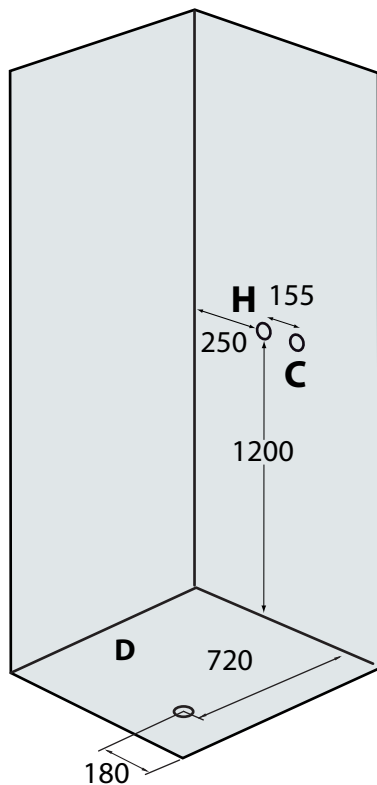


FLORO STEAM SHOWER

Size 900x900x2180mm



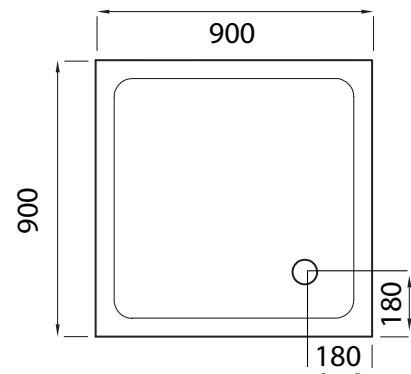
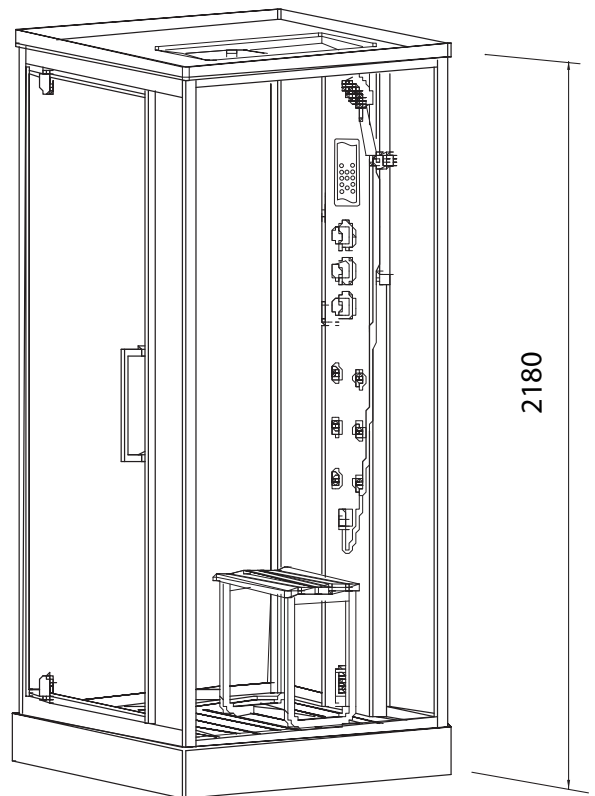
Key

H = Hot water feed

C = Cold water feed

D = Drainage

All measurements are in mm.



Basics

These showers are sectional and will be delivered in six boxes for assembly on site. All the sectional pieces will fit through standard doorways and up stairways. Floro steam showers are free standing and silicone free units that simply require assembly and connection to the following services; Hot and Cold Water, Electricity, Drainage.

Assembly

You will require access all around the unit in order to assemble it. Once assembled the unit can be simply connected via the flexible pipes provided and pushed back into position. The rear wall panel* is completely obscured and it's not necessary to tile behind the shower although it should be sited on a firm level surface. N.B. It's also possible to order this model with either or both side wall panels obscured.

Water Supply

The shower will require a supply of hot and cold water at a minimum of 1.5 bar of pressure (recommended flow rate of nine litres per minute). This can be achieved from a combination boiler/pressurised system or a pumped gravity/vented supply. Two 100cm long metal braided flexible hot and cold supply pipes are provided with the shower and are connected to the tap fitting behind the main rear column (see plan above for suggested connection points).

Drainage

The shower has an easy plumb raised tray built over a stainless-steel box frame with adjustable feet. There is a fall of approximately 10cm from drain in the tray to ground level. The tray has a removable front skirt and is fitted with a 90mm fast flow shallow trap and comes complete with an extendable flexible waste pipe.

Ventilation

No additional ventilation is required beyond what is necessary for a conventional shower. The roof will contain the water vapour and the steam can be condensed to waste by turning on the shower after use.

Electrical Connection

A 3kw electrical supply is required which should be connected through the RCD (residual current device) supplied or an appropriate RCD protected consumer board. We also recommend that an isolation switch is installed to cut the power to the transformer that powers the low voltage ancillaries (radio, lights etc.) It's essential that all electrical work is carried out by a fully qualified electrician or inspected before use.